

1. Purpose

The purpose of this SOP is to outline the safe method for operating the Solar Telescopic Pole fitted with a 100W solar light.

2. Scope

This SOP relates to all Saferoads Telescopic poles. This also applies to both single and double concrete base block variants.

3. Safety



The following safety guidelines must be adhered to:

- a) Working on or besides a roadway is inherently dangerous;
- b) Checks must be performed to ensure there are no overhead services prior to the erection of the pole;
- c) Manual lifting is not permissible (risk of Musculoskeletal injury);
- d) Only certified lifting equipment is to be used and checked prior to use;
- e) Operators are to stay clear of plant and equipment whilst performing this task;
- f) Operators are to stay well clear of the lifting and lowering area; and
- g) Operators are to be sure they keep clear from any pinch point area.

4. Personal Protective Equipment (PPE)

The following is mandatory PPE.



Safety Boots (steel capped) with rubber soles.



Eye protection is compulsory

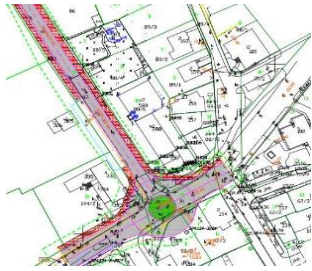
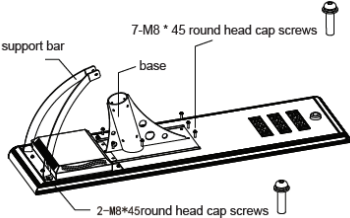




Hi-Viz must be worn when installing product



Hi-Viz Protective Clothing is to be worn

5. Operation

Step 1 – Identify right location	Step 2 – Light assembly	Step 3 – On position
		
<p>Ensure that you are in the right location for the installation.</p>	<p>Assemble the light in accordance with the manufactures instructions. Preassemble lamp, mounting bracket and support bars according to the drawing below.</p>	<p>Ensure that the light is turned on. When the button is depressed, the light is “off”. When the button is in line with the housing the light is “on”.</p>

Step 4 – Operation	Step 5 – Securing the light	Step 6 – Securing the light
		
<p>The pole has been design for easy operation. Turn the handle in a clockwise direction to raise the light. Turn the handle anti-clockwise to lower.</p>	<p>The handle has been designed to accommodate a padlock to secure the light.</p>	<p>When securing the padlock, always ensure that the handle is in the vertical position. This will ensure the two grub screws on the handle are protected within the housing.</p>

SOP REVISION UPDATES

SOP Amendment Level

Rev #	Date	Comment
1	23/11/2023	a. PPE Icons updated – no revision change
1	16/11/2023	b. New SOP